

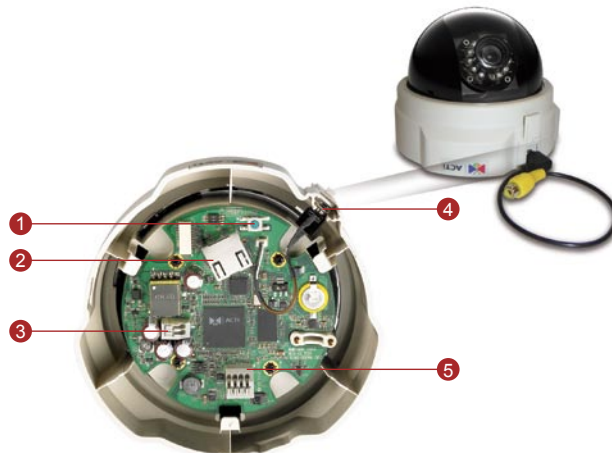


ACM-3311 Series

IP IR 3-inch Dome Camera

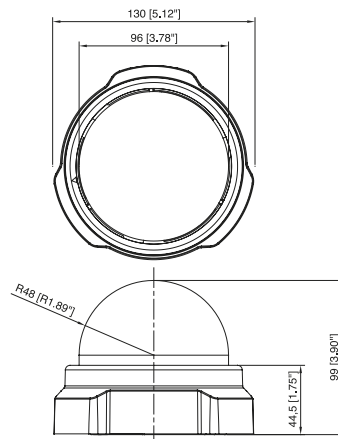


- 1/3" Sony SuperHAD CCD
- Build in 4.3 mm fixed lens
- Build in IR LED and CDS sensor
- Auto Backlight Compensation and Auto Gain Control supported
- MPEG-4 / MJPEG compression supported
- CIF up to Full D1 resolution at 30/25 FPS
- Two way audio supported
- Power over Ethernet (IEEE 802.3af) supported



- | | |
|-----------------|------------------------|
| 1 Reset Button | 4 Analog Video Output |
| 2 Ethernet Port | 5 Audio Input / Output |
| 3 Power Input | |

DIMENSION DIAGRAM



Unit: mm [inch]



ACM-3311 Series

PRODUCT SPECIFICATION

Image	
Device	SONY SuperHAD CCD
Size	1/3 inch
Effective Pixels	537 x 505 (NTSC); 537 x 597 (PAL)
Horizontal Resolution	420 TVL
Min. Scene Illumination	
Color	0Lux (w/ IR) IR LED ON at 4Lux / Controlled by a CDS sensor
IR Sensitivity	from 700 nm to 1100 nm
IR LED	IR LED x12 (850 nm)
CDS Sensor	Yes
IR Working Distance	10 M (30 IRE)
Lens	
Focal Length	f 4.3 mm / F 2.0
Viewing Angle	63° (Horizontal)
Camera Angle Adjustment	
X (Panning)	0° ~ 170°
Y (Tilting)	0° ~ 90°
Synchronization	
Sync. System	Internal
Day/Night Functions	
Mechanical IR Cut Filter	N/A
Functions	
Motion Detection	Yes (3 windows)
Electronic shutter	1/60 ~ 1/100,000 sec. (NTSC) 1/50 ~ 1/100,000 sec. (PAL)
BLC	Automatic
AGC	Automatic
White Balance	AWB
S/N Ratio	
S/N Ratio	Better than 48 dB
Video Compression	
Compression	MPEG-4 SP, MJPEG selectable
Picture Resolution	Full D1 (720x480 in NTSC, 720x576 in PAL) VGA (640x480 in NTSC, 640x480 in PAL) CIF (352x240 in NTSC, 352x288 in PAL) QCIF (176x120 in NTSC, 176x144 in PAL)
Bit Rate	28 K ~ 3 M bps
Image Frame Rate	30 fps at full D1 resolution (NTSC); 25 fps at full D1 resolution (PAL)

Video Output	
Video Output	CVBS, 1.0Vp-p with 75Ω loading, 3.5 mm Phone Jack
Audio Input	
Compression	8 kHz, Mono, PCM
Audio Line Input	Unbalanced, 1.4Vp-p, 1Vrms, terminal block
Audio Output	
Compression	8 kHz, Mono, PCM
Audio Line Input	Unbalanced, 1.4Vp-p, 1Vrms, terminal block
External I/O	
Reset Button	Factory default
Casing	
Mount Types	Surface / Wall (option)
Network	
Ethernet	Ethernet(10/100Base-T), RJ-45 connector
Protocol	TCP, UDP, IP, HTTP, DHCP, PPPoE, RTP, RTSP
Software	
Web Browser	Microsoft Internet Explorer 6.0 or above
SDK	ActiveX control, C SDK
Security	Password protection: configured by the administrator
Operating	
Temperature	-10 °C ~ 50 °C (14 °F ~ 122 °F)
Power	
Power Requirement	PoE (IEEE802.3af) with Class 3
Power Consumption	5.6 W (DC 12 V) w/ IR ON 6.9 W (PoE) w/ IR ON
Physical	
Dimensions (øxL)	130 mm X 99 mm (5.12" x 3.90")
Weight	350 g (0.7 lb)

ORDERING INFORMATION

Model Name	NTSC	PAL	DC 12 V / PoE
ACM-3311N	V		V
ACM-3311P		V	V

ACCESSORY OPTIONS

- Wall mount kit MTB-201-R0



MTB-201-R0